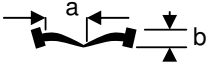
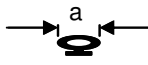

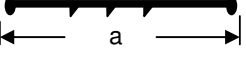
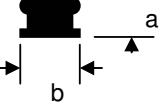
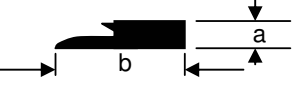
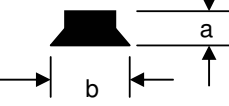
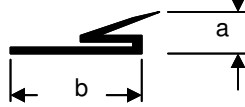
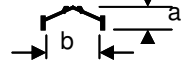


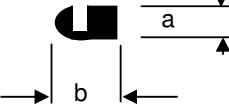
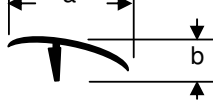
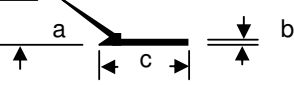
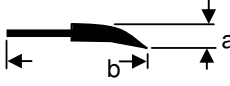
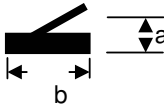
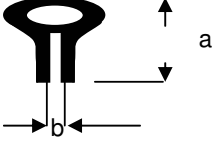

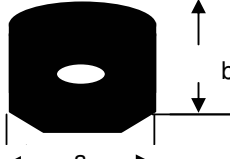
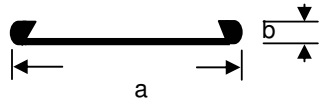

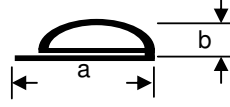
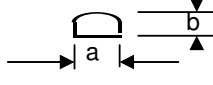
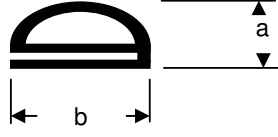
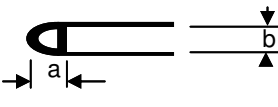
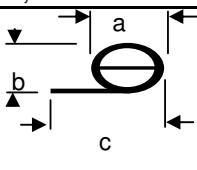
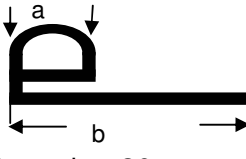
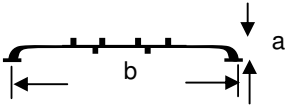
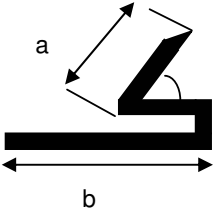
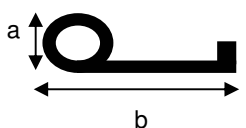
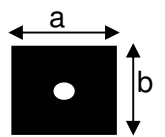
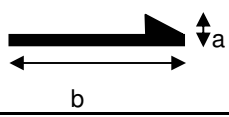
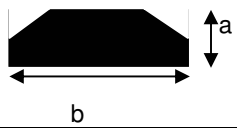
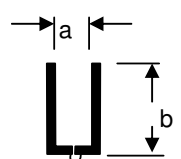


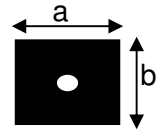
OTHER PROFILES AVAILABLE	SRE job no
 <p>a = 13mm, b = 5.5mm</p>	<b>102</b>
 <p>a = 6mm</p>	<b>103</b>
 <p>a = 21mm, b = 20mm</p>	<b>104</b>
 <p>a = 55</p>	<b>108</b>
 <p>a = 10mm, b = 15mm</p>	<b>112</b>
 <p>a = 10mm, b = 15.5mm</p>	<b>113</b>
 <p>a = 8mm, b = 12.5mm</p>	<b>117</b>

OTHER PROFILES AVAILABLE	SRE job no
 <p>a = 11mm, b = 13.5</p>	<b>121</b>
 <p>a = 8mm, b = 7mm</p>	<b>122</b>
 <p>a = 5.4mm, b = 25.4mm</p>	<b>130</b>
 <p>a = 13mm, b = 13mm</p>	<b>131</b>
 <p>a = 9mm, b = 6mm</p>	<b>132</b>
 <p>a = 15mm, b = 13mm</p>	<b>133</b>
 <p>a = 12mm, b = 2mm, c = 14mm</p>	<b>137</b>

OTHER PROFILES AVAILABLE	SRE job no
 <p>a = 8mm, b = 17mm</p>	138
 <p>a = 10mm, b = 10mm</p>	139
 <p>a = 27.5mm, b = 4mm</p>	145
 <p>a = 10mm, b = 18mm 24mm</p>	147
 <p>a = 36mm, b = 50mm</p>	148
 <p>a = 70mm, b = 16mm</p>	157
 <p>a = 18.5mm, b = 6mm</p>	159

OTHER PROFILES AVAILABLE	SRE job no
 <p>a = 25mm, b = 6mm</p>	169
 <p>a = 10mm, b = 7.5mm</p>	170
 <p>a = 25mm, b = 25mm</p>	171
 <p>a = 10mm, b = 10.2mm</p>	172
 <p>a = 22mm, b = 22mm c = 38mm</p>	176
 <p>a = 10mm, b = 30mm</p>	184
 <p>a = 10mm, b = 30mm</p>	185

OTHER PROFILES AVAILABLE	SRE job no
	
a = 12mm, b = 13mm angle 45 degrees	<b>198</b>
	
a = 11.5mm, b = 30mm	<b>210</b>
	
a = 12mm, b = 12mm hole diameter 3mm	<b>222</b>
	
a = 2.5mm, b = 19mm	<b>230</b>
	
a = 12mm, b = 28mm	<b>249</b>
	
a = 35mm, b = 12mm	<b>275</b>

OTHER PROFILES AVAILABLE	SRE job no
	
a = 12mm, b = 10mm hole diameter = 3mm	<b>331</b>